



输出功率：约10~300W
行星齿轮减速电机

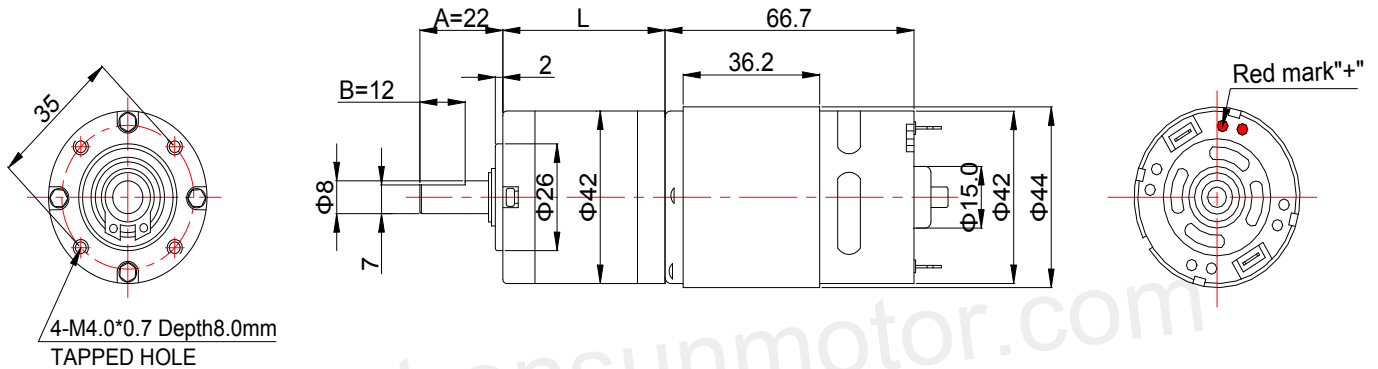
OUTPUT:APPROX 10~300W
Planetary Gear Motor

典型应用： 电动窗帘
智能家居
智能机器人
精密仪器

Typical Applications: Electric Curtains
Smart Home Appliance
Smart Robot
Precision Instruments

1.OUTLINE DRAWING:

UNIT:MM

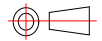


Customizable Parameters:

1. Length L、 A and B
2. Electric Performance
3. Output shaft specifications
4. Reduction Ratio

WEIGHT: 750g(Approx)

View:



2.GEARBOX REDUCTION RATIO:

Gearbox Length (mm)	Stage Number	Reduction Ratio						Rated Torque	Bearable Maximum Instant Torque
		kg.cm							
33.5	1	3.7/1	5/1				10.0	20.0	
43.5	2	13/1	18/1	25/1			25.0	50.0	
53.5	3	49/1	67/1	92/1	125/1		40.0	80.0	
63.5	4	181/1	246/1	336/1	458/1	625/1	50.0	100.0	

3.MOTOR PERFORMANCE :

1N.m \approx 10.2kg.cm \approx 14.2oz.in

MODEL	REDUCTION RATIO	VOLTAGE		NO LOAD		AT MAXIMUM EFFICIENCY				STALL	
		OPERATING RANGE	NOMINAL	SPEED	CURRENT	SPEED	CURRENT	TORQUE	OUTPUT	TORQUE	CURRENT
			V	rpm	A	rpm	A	kg.cm	W	kg.cm	A
42PA775-18-12660	18/1	5.0~13.0	12.0	660	1.7	573	11.3	14	82.28	110.8	75.6
42PA775-25-24430	25/1	6.0~25.0	24.0	430	0.75	375	5.2	16	61.54	123.6	35.8
42PA775-92-24120	92/1	6.0~25.0	24.0	120	0.75	106	5	50	54.36	435.8	35.8
42PA775-125-2440	125/1	6.0~25.0	24.0	40	0.32	35	1.6	50	17.95	380.9	9.5
42PA775-246-2420	246/1	6.0~25.0	24.0	20	0.32	18	1.05	60	11.08	745.6	9.5
42PA775-25-48300	25/1	12.0~48.0	48.0	300	0.42	251	1.9	20	51.49	123.7	9.65